

# DM - Series DIMM Sockets

## 90° right angle type 168-pin

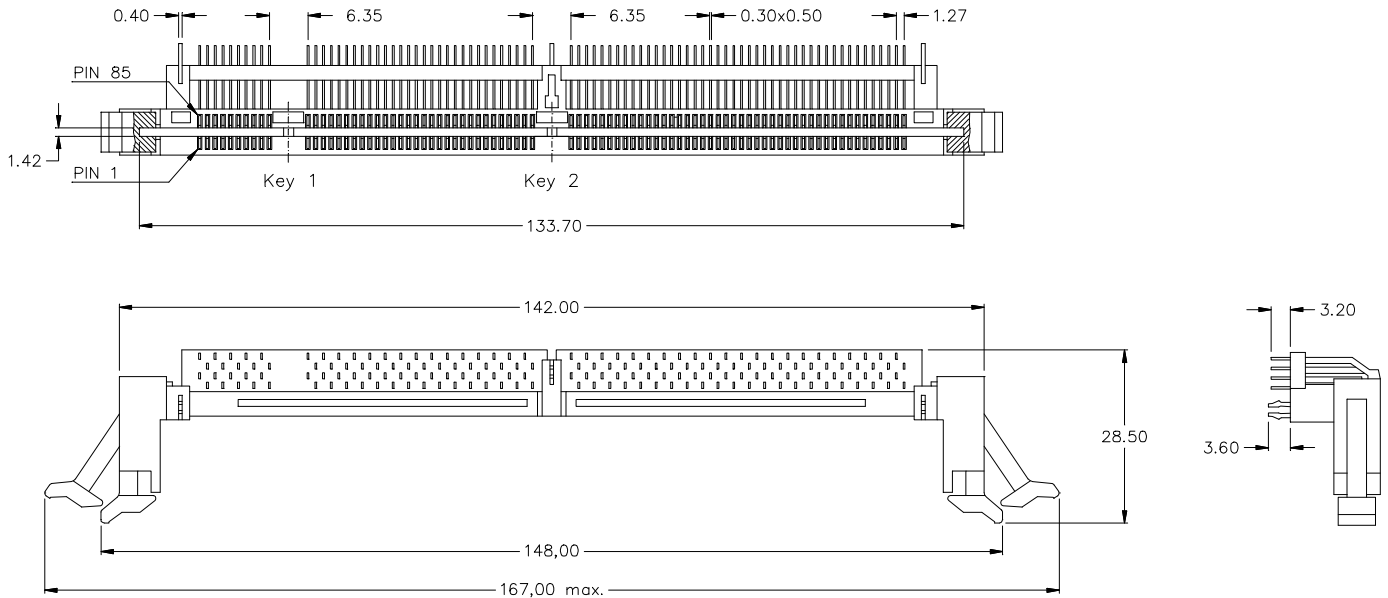
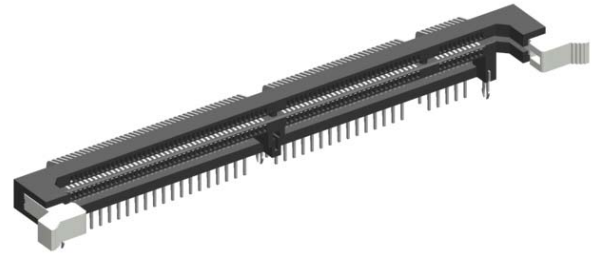


DIMM sockets are only available as long latch type  
( Module locking extractors ).

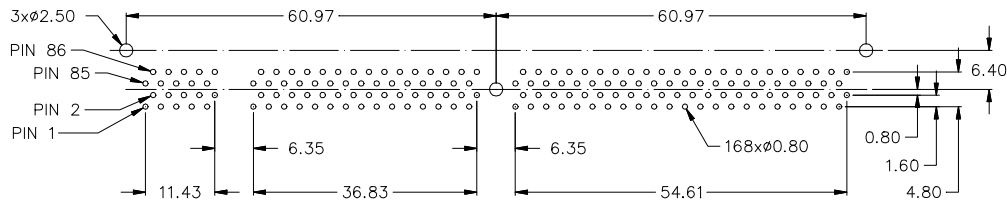
Insertion & extraction of the module can be made without any tools.

Positive polarization prevents wrong insertion of the module.

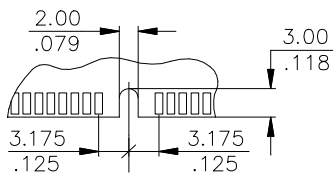
Contacts are designed with an anti-overstress feature for long contact life. Selective Gold/Tin plated. Gold only in contact area.



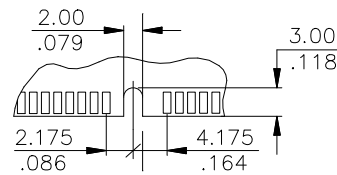
### PC Board hole layout



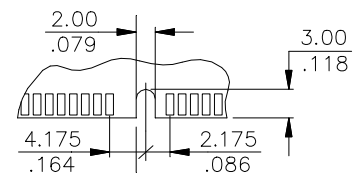
#### Module keying Type "A"



#### Module keying Type "B"



#### Module keying Type "C"



### Specification

Current rating 1 A max., 250V AC  
Contact resistance 30 m $\Omega$  max.  
Breakdown voltage 1,5 KV RMS max.  
Insulation resistance 10<sup>4</sup> M $\Omega$  min.  
Capacitance 1 pF max.

Operating temperature -55° C to +105° C min.  
Insulator (RoHS compliant) high temp plastic UL 94 V-0  
Contact (RoHS compliant) Copper Alloy  
Plating Au / Sn (leadfree) over Ni

Pin	Socket Type	Key No. 1	Key No. 2	Ordering Code
168 pin	DRAM 5 Volt	Type "A"	Type "B"	Please contact E-tec sales office for availability.
168 pin	SDRAM 5 Volt	Type "B"	Type "B"	Please contact E-tec sales office for availability.
168 pin	UDRAM 5 Volt	Type "C"	Type "B"	Please contact E-tec sales office for availability.
168 pin	DRAM 3,3 Volt	Type "A"	Type "A"	Please contact E-tec sales office for availability.
168 pin	SDRAM 3,3 Volt	Type "B"	Type "A"	Please contact E-tec sales office for availability.
168 pin	UDRAM 3,3 Volt	Type "C"	Type "A"	<b>DM1 - 168 - RCA9 - 95/1L</b>