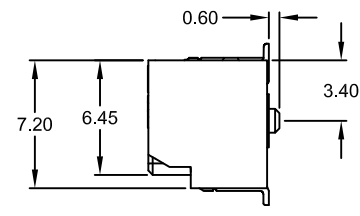
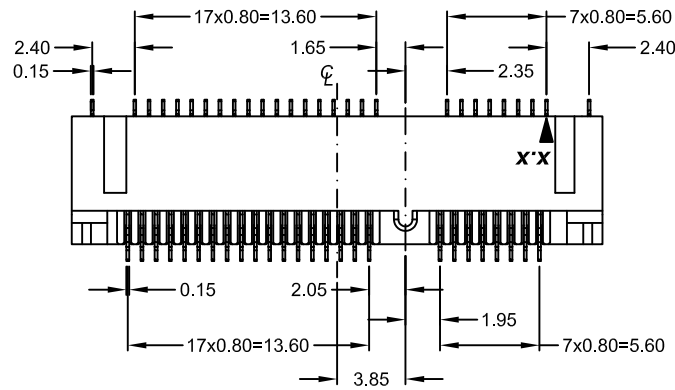


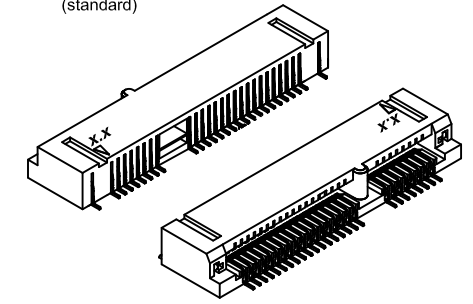
REV.	DESCRIPTION	DATE	DRAWN
A	New	14.01.2007	RH
B	design update	18.01.2012	Ronny
C	design update + RoHS	14.11.2014	Ronny
D	page 2/4 update to rev-D	25.04.2017	Ryan
E	delete Module Fixing Hardware Option Latch	22.06.2017	Ronny



Order Code
MPE-052-RXB9-55/X

Packing Option
R = if Reel packing (standard)

Dimension		X.X	Height
A	B	Mark	Option
4.00mm	2.11mm	4.0	L
5.20mm	3.31mm	5.2	P
5.60mm	3.71mm	5.6	F
6.00mm	4.11mm	6.0	T
6.80mm	4.91mm	6.8	W
8.00mm	6.11mm	8.0	M
9.00mm	7.11mm	9.0	C
9.20mm	7.31mm	9.2	G
9.90mm	8.00mm	9.9	D



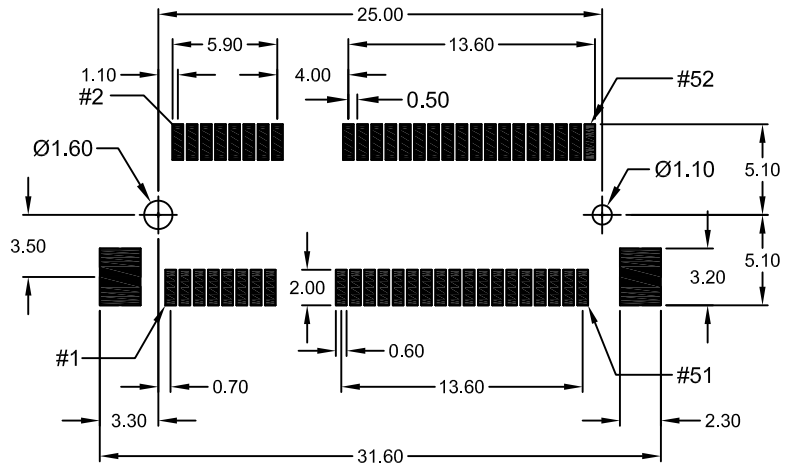
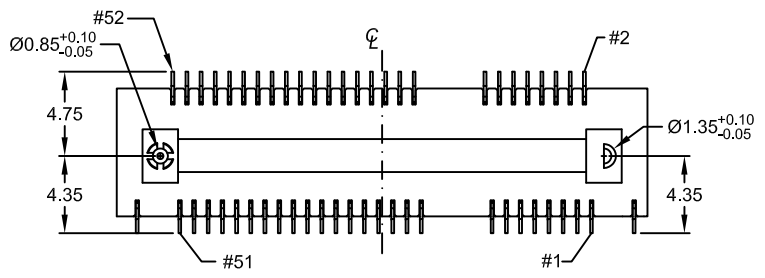
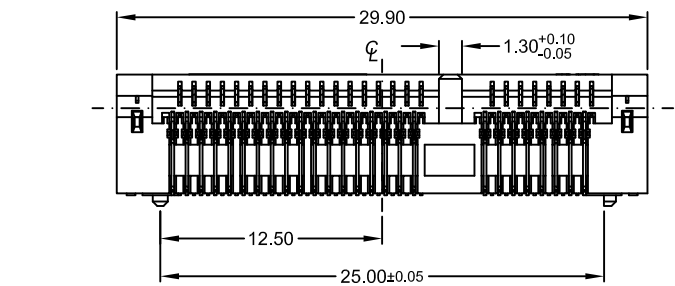
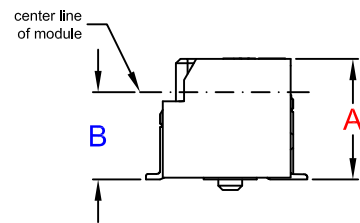
Specifications

Electrical
 Current rating: 0.5A / Contact
 Insulation resistance: 500MΩ min.
 Contact resistance: 55mΩ max.
 Voltage rating: 50V AC
 Withstanding voltage: 300V AC rms 1 Minute
 Insertion loss: 1dB max. up to 1.25Ghz / 5dB max. up to 3.75Ghz
 Return loss: ≤12dB up to 1.3GHz / ≤7dB up to 2Ghz / ≤4dB up to 3.75GHz
 Cross talk (near end): -32dB up to 1.25Ghz / ≤26dB up to 3.75Ghz

Material
 Contact: Copper Alloy
 Plating: Au over Ni
 Insulator: LCP (Black) UL 94V-0

Operating temperature: -40°C to +85°C
 Processing temperature: +255°C +0/-5°C for 10~20 seconds

Mechanical Requirements
 Lifetime: 50 cycles min.



Recommended PCB Layout Top View

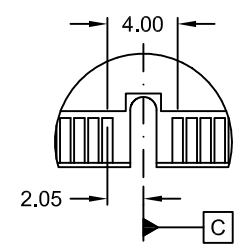
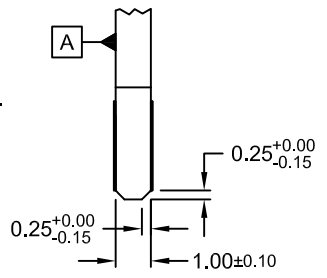
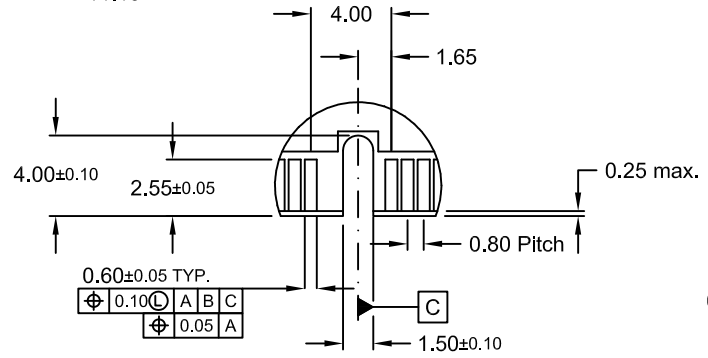
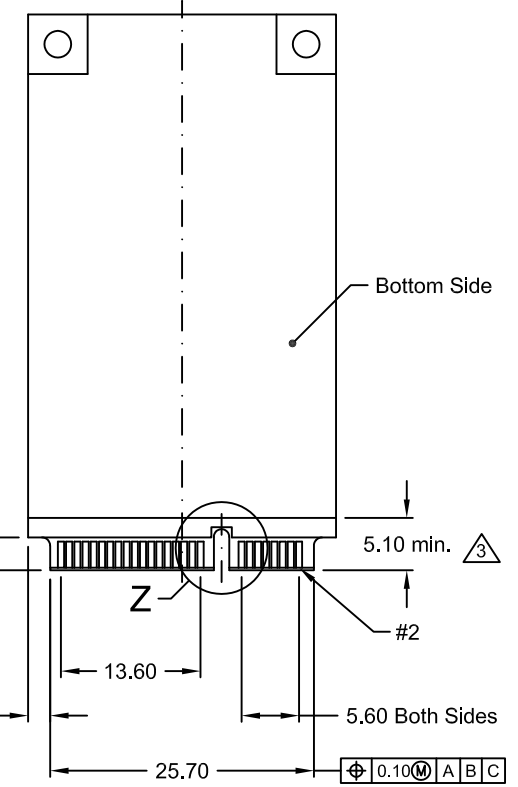
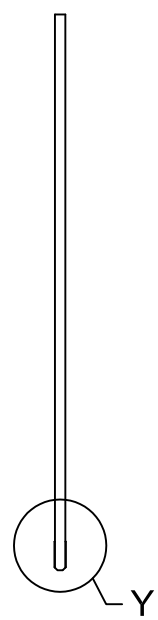
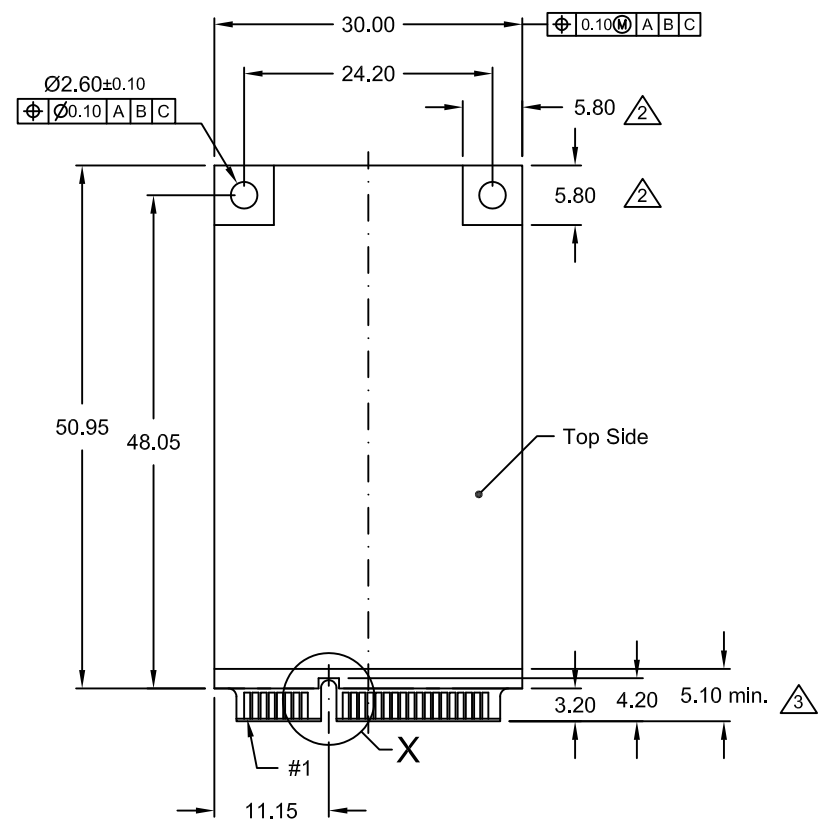
E-tec 2017 © - all rights reserved www.e-tec.asia



UNIT	GENERAL TOLERANCE		DRAWN	DATE	DWG. NO.	SHEET 1/3
mm	X.° ±	X. ±	RH	14.01.2007	MPE-052-RXB9	REV. E
SCALE	.X° ±	.X ±	CHECK	22.06.2017	SERIES NO.	
Free	.XX° ±	.XX ± 0.10	APPROVE	22.06.2017	MPE-052-RXB9-5x/X	
	.XXX° ±	.XXX ±	Hogi			

Mini PCI-Express Connector
"B" Key
 0.80mm pitch 52 Contact Type

REV.	DESCRIPTION	DATE	DRAWN
A	New	09.10.2005	RH
B	design update	18.01.2012	Ronny
C	design update + RohS	14.11.2014	Ronny
D	Module design update	22.06.2017	Ronny



Note:
 1. contact numbering reference:
 odd contacts-top side
 even contacts-bottom side
 2. component and routing (all layers)
 3. keep out area for hold down solutions
 3. component keep out area for connector

E-tec 2017 © - all rights reserved www.e-tec.asia



UNIT	SCALE	GENERAL TOLERANCE	DRAWN	DATE	DWG. NO.	SHEET 2/3
mm	Free	X.° ± X. ±	RH	09.10.2005	MPE-052-RXB9	REV. D
		.X° ± .XX ± 0.10	Hogi	22.06.2017	SERIES NO.	
		.XXX° ± .XXX ±	Hogi	22.06.2017	MPE-052-RXB9-5x/X	

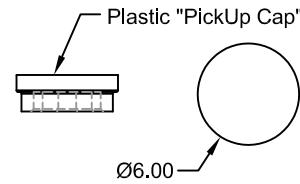
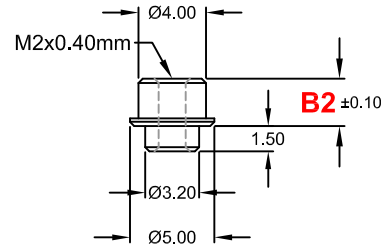
Recommended Module Design
 for Mini PCI-Express Connector
 MPE-052-RXB9-55/X

REV.	DESCRIPTION	DATE	DRAWN
A	New	16.07.2008	RH
C	design update + RoHS	14.11.2014	Ronny
D	delete Screws	22.06.2017	Ronny

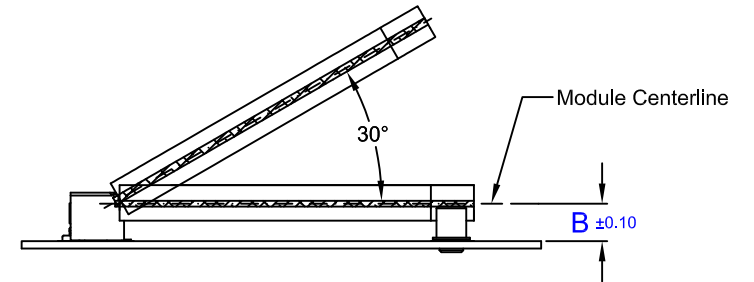
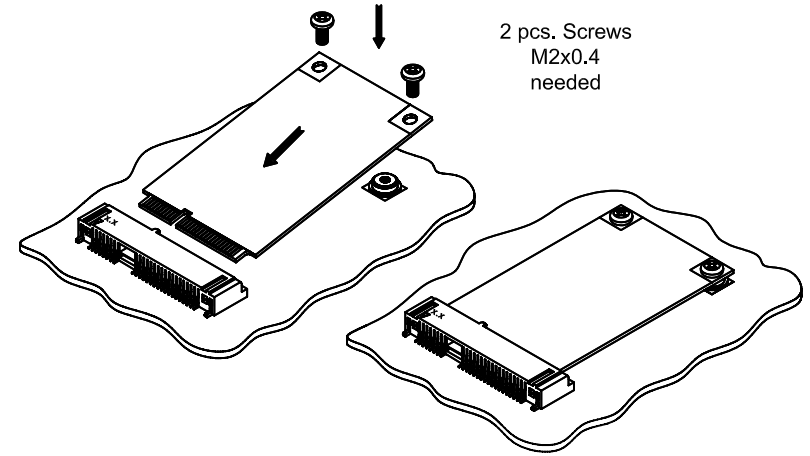
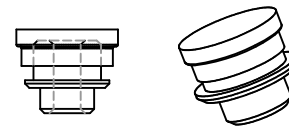
Module Fixing Hardware

Distance Bolt with PickUp Cap

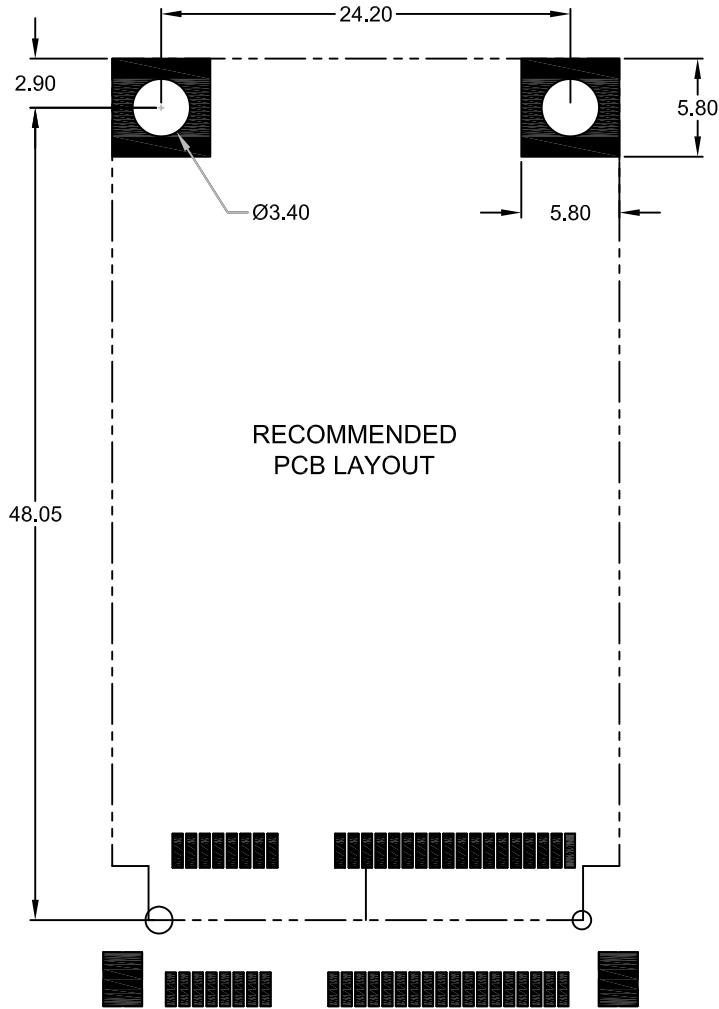
(2 pcs. needed each connector)
Reel packed (700 pcs./reel)



Distance bolt with PickUp Cap



How to order "Distance Bolt" Module Fixing Hardware				
Order Code	DIM "B2"	for Connector height Option	X.X Mark	DIM "B"
DBT-160-MPE40-99/B	1.60mm	L	4.0	2.11mm
DBT-280-MPE52-99/B	2.80mm	P	5.2	3.31mm
DBT-320-MPE56-99/B	3.20mm	F	5.6	3.71mm
DBT-360-MPE60-99/B	3.60mm	T	6.0	4.11mm
DBT-440-MPE68-99/B	4.40mm	W	6.8	4.91mm
DBT-560-MPE80-99/B	5.60mm	M	8.0	6.11mm
DBT-660-MPE90-99/B	6.60mm	C	9.0	7.11mm
DBT-680-MPE92-99/B	6.80mm	G	9.2	7.31mm
DBT-750-MPE99-99/B	7.50mm	D	9.9	8.00mm



E-tec 2017 © - all rights reserved www.e-tec.asia



UNIT	mm	GENERAL TOLERANCE	
SCALE	Free	X.° ±	X. ±
		.X° ±	.X ±
		.XX° ±	.XX ± 0.10
		.XXX° ±	.XXX ±

DRAWN	RH	DATE	16.07.2008
CHECK	Hogi	DATE	22.06.2017
APPROVE	Hogi	DATE	22.06.2017

DWG. NO.	MPE-052-RXB9	SHEET	3/3
SERIES NO.	MPE-052-RXB9-5x/X	REV.	D

PCB Layout Recommendation
for "Distance Bolt" Fixing Hardware
for Mini PCI-Express Connector
MPE-052-RXB9-55/X