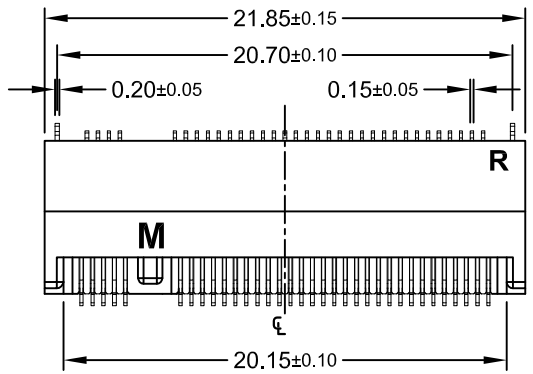
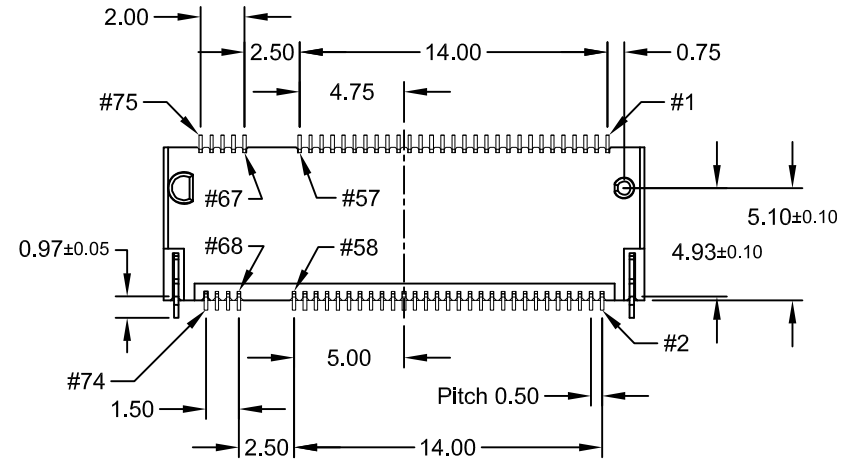
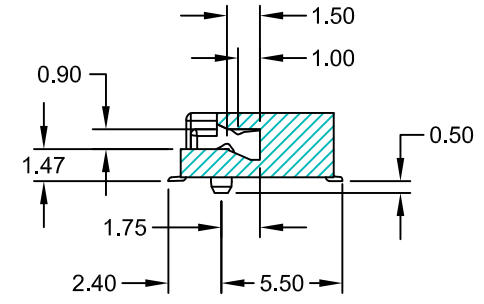
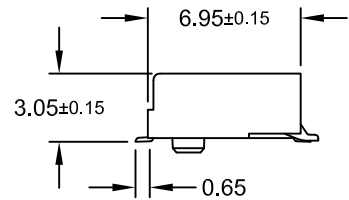
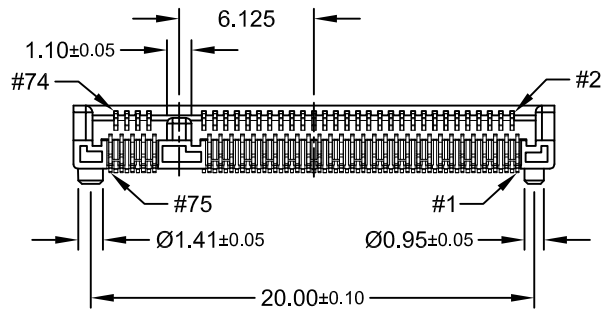


REV.	DESCRIPTION	DATE	DRAWN
A	New	09.04.2018	Ronny



Order Code
MPE-075-REMR9-55/R



Specifications

Electrical

Current rating: 0.5A / Contact
 Insulation resistance: 500MΩ min.
 Contact resistance: 55mΩ max.
 Voltage rating: 35V AC
 Withstanding voltage: 300V AC rms / Minute

Material

Contact: Copper Alloy
 Plating: Au flash over Ni
 Insulator: LCP (Black) UL 94V-0

Operating temperature: -40°C to +80°C
 Processing temperature: +260°C +0/-5°C for 10 seconds

Mechanical Requirements

Lifetime: 50 cycles min.

For the PCB layout we refer to page 2/2

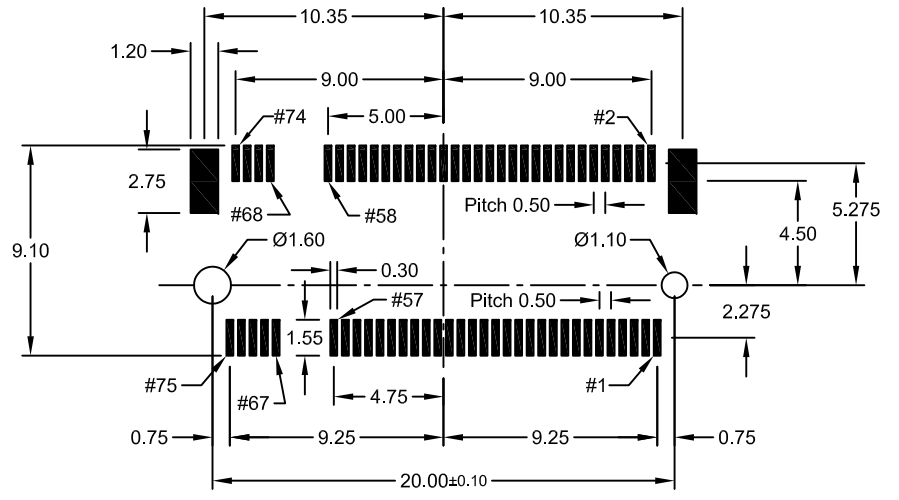
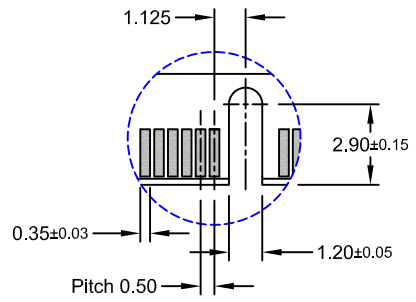
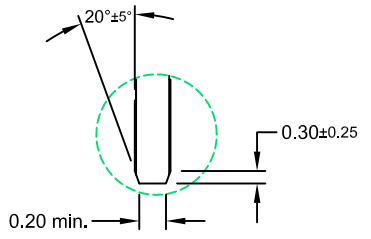
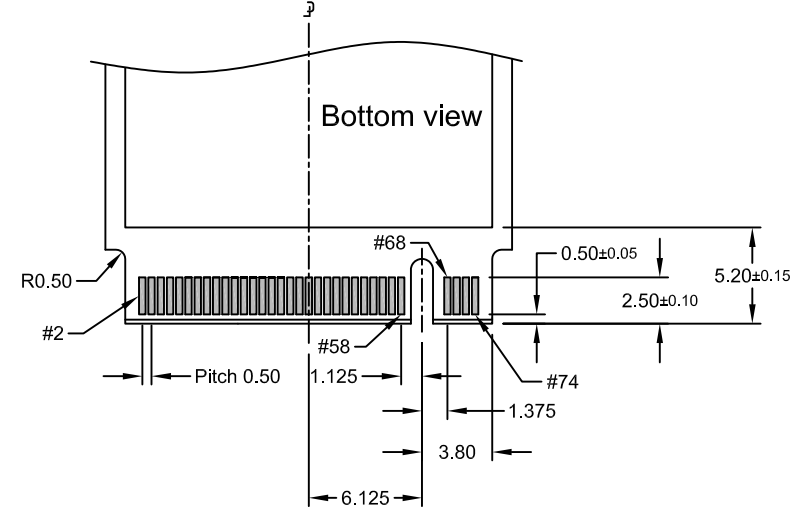
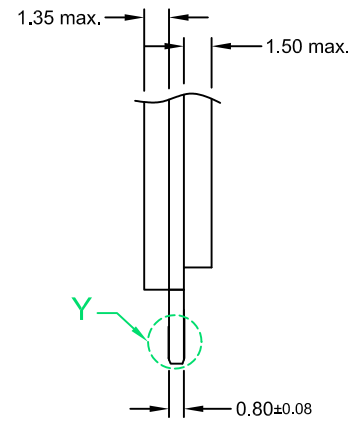
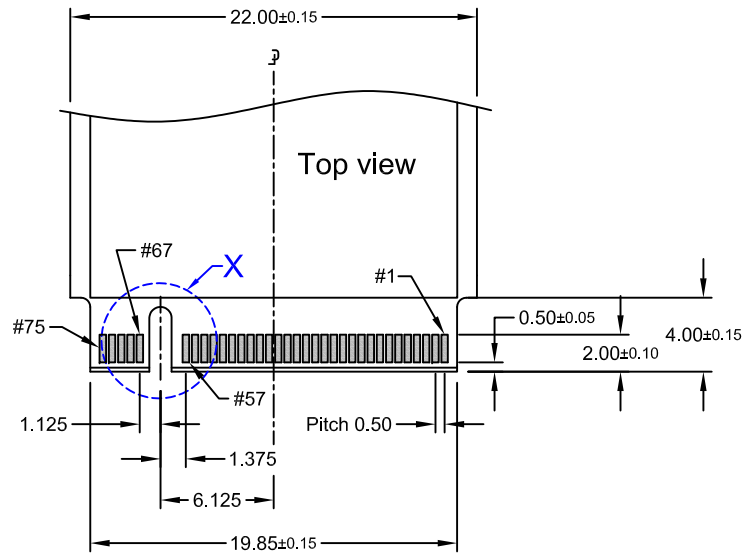
E-tec 2018 © - all rights reserved www.e-tec.asia



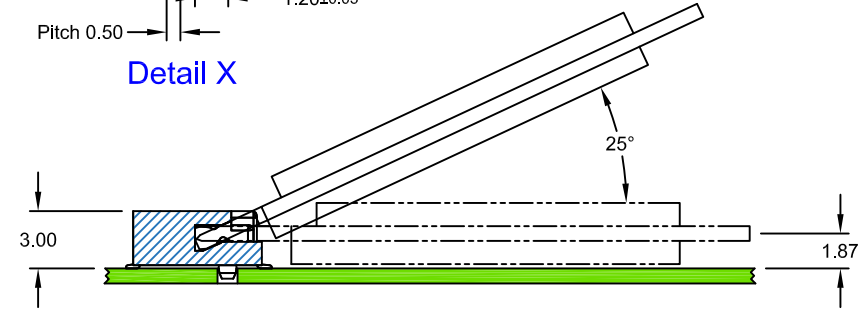
UNIT	GENERAL TOLERANCE		DRAWN	DATE	DWG. NO.	SHEET 1/2
mm	X.° ±	X. ±	Ronny	11.04.2018	MPE-075-REMR9	REV. A
SCALE	.X° ±	.X ±	Hogi	18.04.2018	SERIES NO.	
Free	.XX° ±	.XX ± 0.25	APPROVE	DATE	MPE-075-REMR9-xx/X	
	.XXX° ±	.XXX ±	Hogi	18.04.2018		

Mini PCI Express Connector
M.2 (NGFF) "M" Key Reverse
0.50mm pitch 75 Contact Type

REV.	DESCRIPTION	DATE	DRAWN
A	New	11.04.2018	RH



Recommended PCB Layout Top View
(PCB TOLERANCE ±0.05)



E-tec 2018 © - all rights reserved www.e-tec.asia



UNIT mm	GENERAL TOLERANCE		DRAWN Ronny	DATE 11.04.2018
	X.° ±	X. ±		
	.XX° ±	.X ±		
	.XXX° ±	.XXX ±		
SCALE Free	GENERAL TOLERANCE		CHECK Hogi	DATE 18.04.2018
	X.° ±	X. ±		
	.XX° ±	.XX ± 0.10		
	.XXX° ±	.XXX ±		
	GENERAL TOLERANCE		APPROVE Hogi	DATE 18.04.2018
	X.° ±	X. ±		
	.XX° ±	.XX ± 0.10		
	.XXX° ±	.XXX ±		

DWG. NO.	SHEET 2/2
MPE-075-REMR9	REV. A
SERIES NO.	
MPE-075-REMR9-xx/X	

Recommended Module Design & PCB Layout
for Mini PCI Express Connector M.2 (NGFF)
0.50mm pitch 75 Contact "M" Key Reverse Type